

This RGBW panel controller is our newly developed a new type of high-end controller, RGBW 4 channel controller is a control 4 channel lamps, it supports switch the mode from RGBW to RGB+W, at the same time, under each large mode small mode; This controller can control RGB and RGBW lamps, users no need to purchase a variety of controller, then mode can realize pure white light effect that RGB lamps and lanterns can't reach. It is mainly used to control a variety point light source, soft light, light strips, panel light, etc.; with easy wiring, simple to use and so on. it has many advantages easy to use and others.

### Standards and Certifications



### Product Specification

Controller Type: RGBW Controller

Input Voltage: DC12-24V

Output Current: RGBW:<4A\*4

Output Power: 12V<192W, 24V<384W

Output connect way: common anode (6 line with 4 loop)

Static Power Consumption: <1W

Connection Mode: common anode

Working Temperature: -20~60 degree

Dimensions: L76.6\*W59\*H22.2 mm

Package size: L103\*W70\*H43 mm

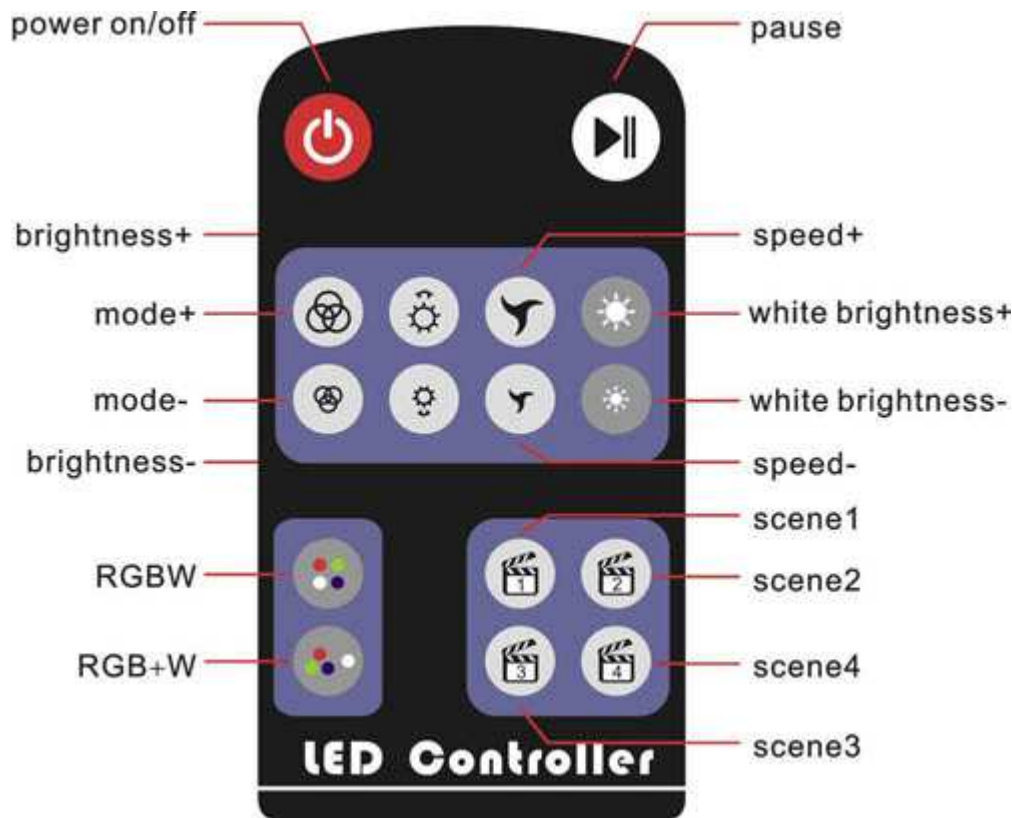
Color: White or black

net weight : 135g

gross weight: 160g

Remote control distance: <=25M

### IR Remote Description



**Direction for use**

**1. Remote control instruction**

This remote have 16 buttons. Unless specified, otherwise, signal light flashes for one time by each clicking. The specific keys function is as follows:



on/off key, you could turn on/off controller at any time;



Pause key. Under power on state, press the pause button, the controller will maintain the current state, the signal light will always bright, except the on/off key, all other buttons are invalid, until press the pause button again or on/off key to restart the controller to unlock the pause state, the signal light will off.



Mode increase key, the mode adds 1 by each pressing, mode table is shown in Table 1 and Table 2.



Mode reduce button, the mode minus 1 by each pressing. Mode table is as shown in Table1 or Table2.



Brightness increase button, in static mode, brightness series add 1 by each pressing, until up to the brightest, altogether 16 levels.



Brightness reduce button, in static mode, brightness series minus 1 by each pressing, until down to the darkest, altogether 16 levels.



Speed increase button, in dynamic mode, speed series add 1 by each pressing, until increase to the fastest, altogether 16 levels.



Speed reduce button, in dynamic mode, speed series minus 1 by each pressing, until reduce to the slowest, altogether 16 levels.



White light increase button, in RGB+W mode, brightness series of white light will add 1 by each pressing, until add to the brightest, altogether 16 levels.



White light reduce button, in RGB+W mode, brightness series of white light will minus 1 by each pressing, until reduce to the darkest, altogether 16 levels.



RGBW mode key, press this key, controller will be in the RGBW mode, in this mode, the fourth channel white light will instead of the white light of the RGB tricolor composite. As show in Table 1.



RGB+W mode key, press this key, controller will be in the RGB+W mode, in this mode, the fourth channel white light and three channel RGB are independent, white light will be always on, and also you can adjust brightness separately, the specific mode is as shown in Table 2.



Scene 1: you could save the current scene by long pressing the button, the green signal light will flash for six times quickly when save the scene successfully. Each button can save a scene respectively in RGBW and RGB+W mode.



Scene 2: you could save the current scene by long pressing the button, the green signal light will flash for six times quickly when save the scene successfully. Each button can save a scene respectively in RGBW and RGB+W mode.



Scene 3: you could save the current scene by long pressing the button, the green signal light will flash for six times quickly when save the scene successfully. Each button can save a scene respectively in RGBW and RGB+W mode.



Scene 4: you could save the current scene by long pressing the button, the green signal light will flash for six times quickly when save the scene successfully. Each button can save a scene respectively in RGBW and RGB+W mode.

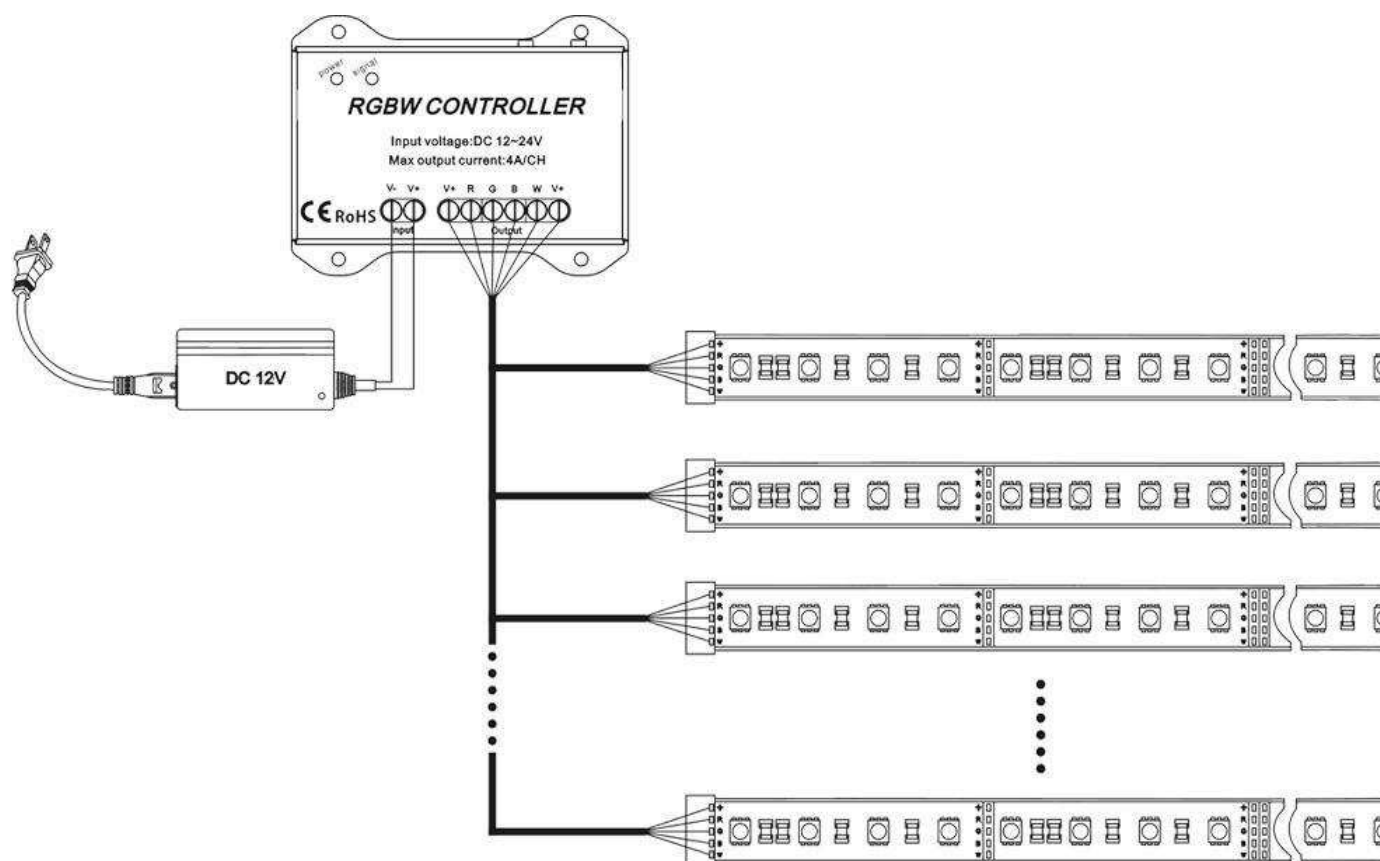
#### The instructions button operation on the controller

1. Match code key, controller is in normal power state, press and hold the key, at the same time press the on/off key matching code successfully, the signal light flashes for six times quickly.
2. The Function key, short press this key, the mode of controller adds 1, signal light flashes for one time. When the click it, the mode will be back to the first mode. Long press it for 3 seconds, can turn on/off the controller, signal light

Note: RGB and W are independent parts, the switch can be individually controlled, the brightness. For example: When can still turn on or off according to the needs of W, or adjust the brightness according to the needs of W, RGB mode c

part may be individually adjusted RGB mode and state. In addition, in FLASH mode can not be turned off W, this is the

## Connection Diagram



## Applications

Interior Decoration: Club, bar, corridor, room, hotel, led aquarium lighting, museum, christmas, holiday, Retail LED lighting

Exterior Decoration: Plaza, commercial buildings, parks, scenic spot, evening location, Sign illumination LEDs etc

## Safety

Supply voltage of this product is 12/24 Volts DC, do not exceed.

Shorting output wires may cause damage to dimmer.

Always observe proper polarity when connecting power and load.

For indoor use only – this product is not waterproof or weatherproof.

## Note

QUICK and SLOW speed buttons will only work when unit is in one of the color changing (dynamic) modes.

Connect according to the Wiring Schematic drawing.

Controller can control a maximum of 30 meters of our Flexible RGBW LED Strip. Over 30 meters, the strips have to connect with an amplifier for every 15 meters of additional LED Strips.

Do not exceed 80% of Power Supply capacity when calculating Power Supply size to use in your system.

Not suitable for automobile applications.

### Package including

1 x 16A rgbw 4 channel led controller with

1 X RF remote

1 x User Manual